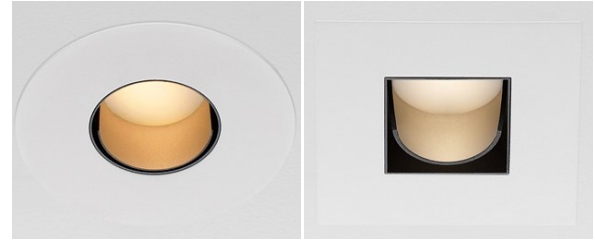


2 SERIES LED WALL GRAZER

PROJECT NAME:	TYPE:
---------------	-------



High-output, low profile, and infinite adjustment -- these small aperture downlights make elegant design statements in discerning residential, retail, and hospitality environments.

ORDERING INFORMATION



Quick Ship Product. All rough in components ship within 10 days up to quantities of 100.



JA8-2022 INDICATED BY SHADING

TRIM	RATING	FLANGE FINISH	CRI / WATTAGE PACKAGE	CCT	OPTIC	INSTALL TYPE	CEILING THICKNESS	POWER SUPPLY	MEDIA	FLANGE CONFIGURATION
					WG				GL	
2PG Round Pinhole Wallgrazer 2SG Square Expanded Wallgrazer	1 Dry/Damp 2 Wet* <i>*(Lens sealed in place)</i>	WH White AG Satin Silver IG Industrial Gray AU Cashmere Gold AB Arch Bronze BB Burnt Bronze BK Black SS Stainless Steel* <i>*(Increased lead time)</i> CH Chrome* <i>*(Increased lead time)</i> MB Matte Bronze* <i>*(Increased lead time)</i> PB Polished Bronze* <i>*(Increased lead time)</i> PR Primer CF Custom* <i>*(Consult Factory)</i>	<p>LOW FLUX STATIC WHITE 3.73" TALL HOUSING</p> <p>80S06A 80+ CRI, 6 Watts (Delivered - 2PG 331, 2SG 389) 80S11A 80+ CRI, 11 Watts (Delivered - 2PG 536, 2SG 628) 80S15A 80+ CRI, 15 Watts (Delivered - 2PG 724, 2SG 856)</p> <p>90S06A 90+ CRI, 6 Watts (Delivered - 2PG 285, 2SG 335) 90S11A 90+ CRI, 11 Watts (Delivered - 2PG 462, 2SG 541) 90S15A 90+ CRI, 15 Watts (Delivered - 2PG 624, 2SG 738) 97S06A 97+ CRI, 6 Watts (Delivered - 2PG 251, 2SG 295) 97S11A 97+ CRI, 11 Watts (Delivered - 2PG 407, 2SG 476) 97S15A 97+ CRI, 15 Watts (Delivered - 2PG 549, 2SG 649)</p> <p>HIGH FLUX STATIC WHITE 6.5" TALL HOUSING</p> <p>80S21A 80+ CRI, 21 Watts (Delivered - 2PG 1000, 2SG 1156) 90S21A 90+ CRI, 21 Watts (Delivered - 2PG 862, 2SG 997) 97S21A 97+ CRI, 21 Watts (Delivered - 2PG 758, 2SG 877)</p> <p>WARM DIM 6.5" TALL HOUSING</p> <p>90W11A 90+ CRI, 11 Watts Incandescent Profile: 2700K - 1800K (Delivered - 2PG 276, 2SG 289) Standard Profile: 3000K - 1800K (Delivered - 2PG 263, 2SG 323) 90W15A 90+ CRI, 15 Watts Incandescent Profile: 2700K - 1800K (Delivered - 2PG 386, 2SG 406) Standard Profile: 3000K - 1800K (Delivered - 2PG 369, 2SG 406) *SEE PAGE 4 FOR DETAILED WARM DIM PROFILE COMPARISON.</p> <p>TUNABLE WHITE 6.5" TALL HOUSING</p> <p>90T17A 90+ CRI, 17 Watts Warm Profile (Delivered - 2PG 386, 2SG 406) Cool Profile (Delivered - 2PG 369, 2SG 406) *ALL DELIVERED LUMEN OUTPUTS REFLECT 3000K.</p>	24 2400K* <i>*(90+CRI only, 15W max)</i> 27 2700K 30 3000K 35 3500K 40 4000K	WG Wall Grazer Optic	<p>Ⓡ Housing W/ Integral Driver (HB) NC NIC IC IC AT IC, Airtight* <i>*(ICCEA and Airtight compliant housing)</i></p> <p>Ⓡ Housing W/ Remote Driver (HR) NR NIC, Remote IR IC, Remote AR IC, Airtight* <i>*(ICCEA and Airtight compliant housing)</i></p> <p>Remodel RM Remodel RR Remote-Remodel</p>	0 0.125" - 0.49"* <i>*(RM, RR Install Types only)</i> 1 0.50" - 0.75" 2 0.76" - 1.25" 3 1.26" - 2.00"	(120V) TR2 Philips, 2% Forward/Reverse L23 Lutron, Hi-Lume 1% 2-Wire (120-277V) LH1 Lutron, Hi-Lume 1% Ecosystem* <i>*(Not available for 6W)</i> LP1 Lutron, Premier 0.1% Ecosystem AN4 Philips Xitanium 1% 0-10V, LOG LN2 Philips Xitanium 1% 0-10V, LIN EA2 eldoLED, 0.1% 0-10V, LOG LA2 0.1% 0-10V, LIN ED1 eldoLED, SOLOdrive 0.1% DALI-2, LOG LD1 eldoLED, 0.1% DALI-2, LIN AS1/ Athena Control ASR eldoLED, 0.1% 120-277V* CS1/ Casambi Control CSR eldoLED, 0.1% 120-277V* <i>*(Includes Node, Extended lead time, consult factory. ASR/CSR includes shunt. Casambi is remote only)</i>	GL Wall Grazer Lens	F Flange Overlay (No Applique) G Zero Sightline Gypsum (1/16" Applique)* <i>*(Not available for wet location)</i> P Zero Sightline Plaster (1/8" Applique)* <i>*(Not available for wet location)</i>

FINISH IMAGES ON PAGE 2

PART NUMBER NOTES

- Trims ships as e.g. 2SG1-WH-80S15A2-GHB1-L23GL
- Housing ships as e.g. NCL-2RF-1-LED-01
- Drivers ship with trim
- Appliqué ships with housing



Declare.

LUCIFER®
LIGHTING COMPANY

luciferlighting.com

©2024 Lucifer® Lighting Company

As part of its policy of continuous research and product development, the company reserves the right to change or withdraw specifications without prior notice.

[PH] +1-210-227-7329
[FAX] +1-210-227-4967

pg. 1

2 SERIES LED WALL GRAZER

ACCESSORIES

ROUTER TOOL GUIDE (Dry / Damp locations only)

Recommended for Zero-Sightline installations in wood ceilings.

- DLA-RTG-2S-RD** Tool, [router guide](#), round; reusable
- DLA-RTG-2S-SQ** Tool, [router guide](#), square; reusable

REPLACEMENT OPTIC

Interchangeable optics accessible through fixture aperture.

- RO-50-WG-S** Wall Grazer Optic, Static White
- RO-50-WG-W** Wall Grazer Optic, Warm Dim

HANGER BAR EXTENDER KIT

Extends hanger bars from 24.0" to 46.0" maximum.

- 2S-HBE-46** Extender, Hanger Bar

FURRING CHANNEL ACCESSORY KIT

Recommended for installations in furring channel. Available for ceiling thicknesses from 0.125" - 1.25".

- DHA-FC-KIT**

EMERGENCY LIGHTING - REMOTE MOUNT ONLY

During disruption of main power, emergency battery inverter provides temporary 120V or 277V to fixture.

- EMB-S-25-120/277-LEDX** 25 watt max capacity, 120 or 277 VAC 60Hz, Non-Dimmable
- EMB-S-100-120-LEDX** 100 watt max capacity, 120 VAC 60Hz, 0-10V Dimmable
- EMB-S-100-277-LEDX** 100 watt max capacity, 277 VAC 60Hz, 0-10V Dimmable
- EMB-S-250-120/277-LEDX** 250 watt max capacity, 120 or 277 VAC 60Hz, 0-10V Dimmable

FINISHES BY LUCIFER LIGHTING™



2 SERIES LED WALL GRAZER

WALL GRAZER DESIGN GUIDE

ROUND



RECOMMENDED 18" SETBACK / 24" ON CENTER SPACING

- AVERAGE FC: 11.42
- MIN / MAX: 3.10
- 10FT CEILING SHOWN / 8-12FT IDEAL
- 10 FIXTURES / 22FT WALL SHOWN

SQUARE



RECOMMENDED 18" SETBACK / 24" ON CENTER SPACING

- AVERAGE FC: 14.48
- MIN / MAX: 5.06
- 10FT CEILING SHOWN / 8-12FT IDEAL
- 10 FIXTURES / 22FT WALL SHOWN

ADDITIONAL SPACINGS AND SETBACKS

ROUND		
ON CENTER SPACING	SETBACK	
	16"	18"
22"	AVERAGE FC: 13.15 MIN / MAX: 3.03	AVERAGE FC: 12.48 MIN / MAX: 2.83
24"	AVERAGE FC: 11.99 MIN / MAX: 3.12	SHOWN ABOVE
26"	AVERAGE FC: 10.92 MIN / MAX: 4.97	AVERAGE FC: 10.37 MIN / MAX: 4.70
28"	AVERAGE FC: 10.24 MIN / MAX: 5.26	AVERAGE FC: 9.76 MIN / MAX: 4.86

SQUARE		
ON CENTER SPACING	SETBACK	
	16"	18"
22"	AVERAGE FC: 16.97 MIN / MAX: 4.60	AVERAGE FC: 16.14 MIN / MAX: 5.03
24"	AVERAGE FC: 15.08 MIN / MAX: 4.87	SHOWN ABOVE
26"	AVERAGE FC: 14.15 MIN / MAX: 4.91	AVERAGE FC: 13.48 MIN / MAX: 5.34
28"	AVERAGE FC: 13.05 MIN / MAX: 4.73	AVERAGE FC: 12.55 MIN / MAX: 5.00

***ALL DATA REFLECTS 90S15A WATTAGE PACKAGE**

2 SERIES LED WALL GRAZER

STATIC WHITE PERFORMANCE - 3000K

CRI / WATTAGE PACKAGE	WATTAGE	WALL GRAZER			
		2PG		2SG	
		DELIVERED	LPW	DELIVERED	LPW
80S06A	6	331	55	389	65
80S11A	11	536	49	628	57
80S15A	15	724	48	856	57
80S21A	21	1000	48	1156	55
90S06A	6	285	49	335	58
90S11A	11	462	46	541	54
90S15A	15	624	44	738	51
90S21A	21	862	41	997	47
97S06A	6	251	42	295	49
97S11A	11	406	37	494	38
97S15A	15	549	37	649	43
97S21A	21	758	36	877	42
90W11A (WL 27K-18K)	11	276	28	289	30
90W11A (WD 30K-18K)	11	263	27	323	33
90W15A (WL 27K-18K)	15	386	28	404	29
90W15A (WD 30K-18K)	15	369	26	452	32
90T17A (TR 40K-18K)	17	753	45	833	49
90T17A (TH 50K-27K)	17	746	44	825	49



JA8-2022 INDICATED BY SHADING

OUTPUT MULTIPLIER

CCT	CCT SCALE
2400K	0.76
2700K	0.97
3000K	1.000
3500K	1.03
4000K	1.08

TUNABLE WHITE MULTIPLIER

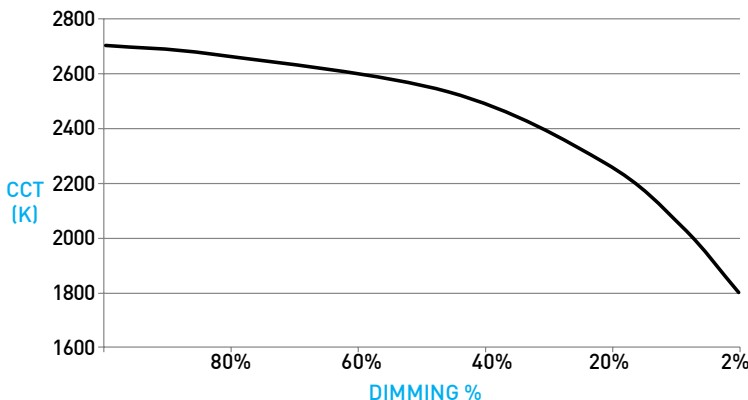
CCT	5000K-2700K	4000K-1800K
5000K	1.16	-
4000K	1.08	1.14
3500K	1.04	1.07
3000K	1.00	1.00
2700K	0.96	0.92
2400K	-	0.84
1800K	-	0.69

WARM DIM PERFORMANCE

INCANDESCENT PROFILE

90W11AL 2700K - 1800K	Full on 100%	Dimmed to 80%	Dimmed to 70%	Dimmed to 50%	Dimmed to 20%	Dimmed to 10%	Dimmed to 2%
CCT (K)	2700	2650	2625	2550	2200	1900	1800
Light Output (Lm)	276	221	193	138	55	28	6
Power (W)	11	9	8	6	2.2	1.1	.2
Efficacy (LPW)	25	25	25	25	25	25	25

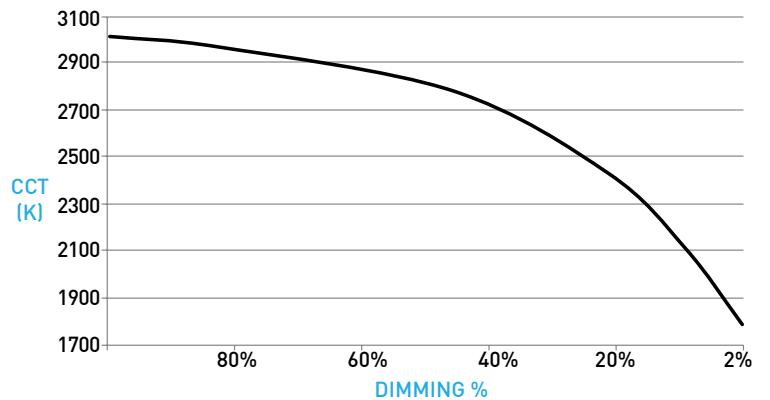
90W15AL 2700K - 1800K	Full on 100%	Dimmed to 80%	Dimmed to 70%	Dimmed to 50%	Dimmed to 20%	Dimmed to 10%	Dimmed to 2%
CCT (K)	2700	2650	2625	2550	2200	1900	1800
Light Output (Lm)	406	325	284	203	82	41	8
Power (W)	14	11	10	7	3	1.5	0.3
Efficacy (LPW)	29	29	28	29	27	27	27



STANDARD PROFILE

90W11AD 3000K - 1800K	Full on 100%	Dimmed to 80%	Dimmed to 70%	Dimmed to 50%	Dimmed to 20%	Dimmed to 10%	Dimmed to 2%
CCT (K)	3000	2950	2920	2775	2375	2000	1800
Light Output (Lm)	289	231	202	145	58	29	6
Power (W)	11	9	8	6	2.2	1.1	.2
Efficacy (LPW)	26	26	26	26	26	26	26

90W15AD 3000K - 1800K	Full on 100%	Dimmed to 80%	Dimmed to 70%	Dimmed to 50%	Dimmed to 20%	Dimmed to 10%	Dimmed to 2%
CCT (K)	3000	2950	2920	2775	2375	2000	1800
Light Output (Lm)	453	362	317	226	90	45	9
Power (W)	14	11	10	7	3	1.5	0.3
Efficacy (LPW)	32	33	32	32	30	30	30



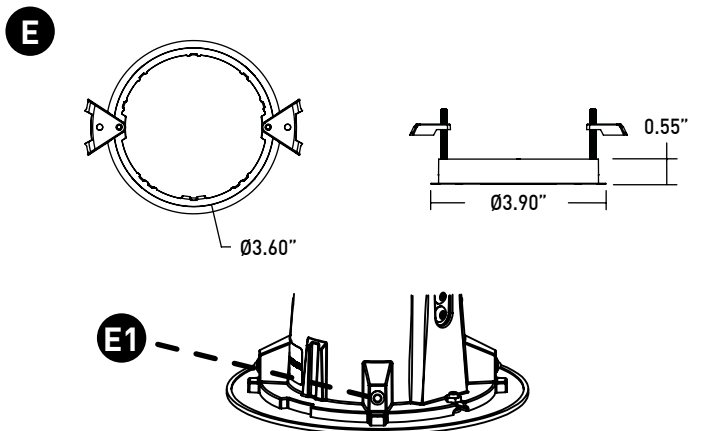
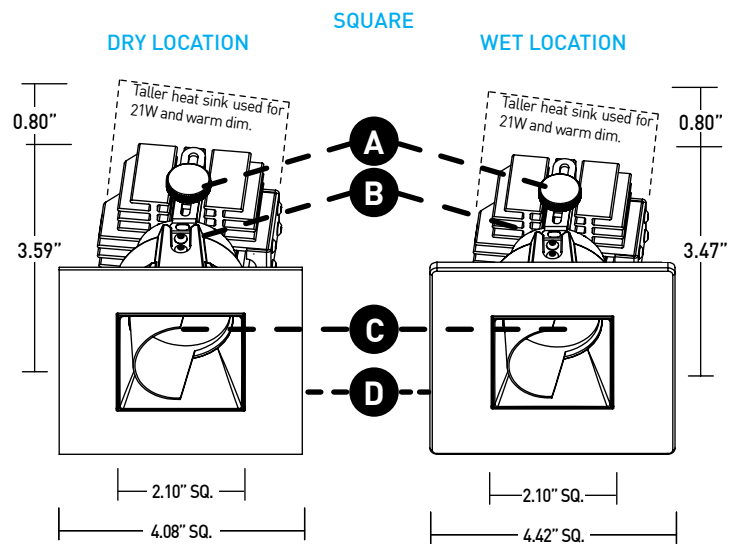
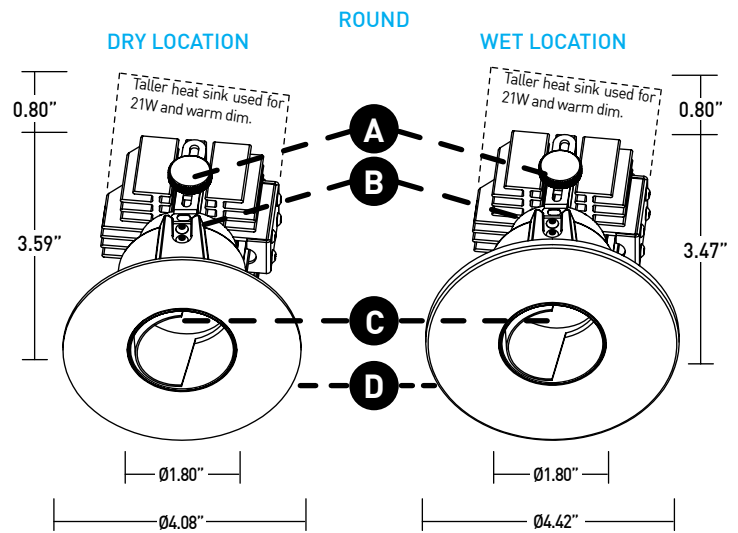
2 SERIES LED WALL GRAZER

DOWNLIGHT

Die-cast baffle and precision kick reflector provide dynamic wall grazing and minimal aperture glare.

- A** **ADJUSTABLE YOKE**
Adjustable yoke allows for quick access to optic and media.
- B** **OPTICS**
Robust light engine with optimized optic pairing integrates Reflection, Refraction, and TIR offering a 40° wallgrazing beam.
- C** **MEDIA**
Wall grazer lens included and sealed in place on wet location fixtures
- D** **TRIM PLATE**
 - Dry / Damp Location: Thickness measures 0.065".
 - Wet Location: Sealed aperture and integral silicone gasket. 0.17" (4.3mm) return, installed as flange overlay only.
- E** **DOWNLIGHT TRIM ADAPTER**
Included with fixture and required for installation. Provides required alignment with trim, ensuring fixture aim integrity is maintained Uses (2) #6-32 flat-head screws with varying lengths to accommodate ceiling depth. Installed after ceiling is complete.
- E1** **RETENTION**
Integral ball plungers correspond to trim adapter ensuring snug fit against finished ceiling.

DIMENSIONS / DRAWINGS



2 SERIES LED WALL GRAZER

HOUSING

- F LOW FLUX NO INSULATION CONTACT (NON-IC) HOUSING**
- Included with NC and NR Low Flux wattage packages.
 - Minimum 0.50" setback from combustible and non-combustible materials on all sides and top of housing.
 - Minimum 3.00" setback from insulation material having max R-Value 30 on all sides and top of housing.
 - Minimum 6.00" setback from polycell spray foam insulation having max R-Value 60.
- LOW FLUX INSULATION CONTACT (IC) HOUSING**
- Included with IC, IR, AT, and AR LOW Flux wattage packages.
 - No setback from polycell spray foam insulation having max R-Value of 60 on all sides and top of housing.
- G HIGH FLUX / WARM DIM HOUSING**
- Satisfies IC, Airtight and NON-IC configurations.
 - Included with all HIGH Flux and Warm Dim wattage packages.
 - No setback from polycell spray foam insulation having max R-Value of 60 on all sides and top of housing.

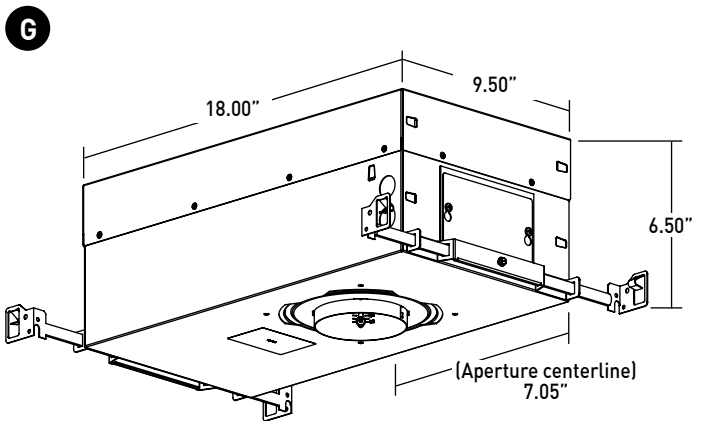
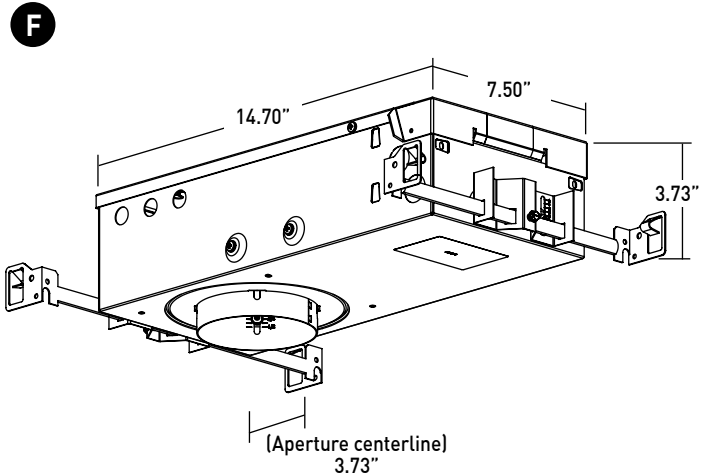
HOUSING MOUNTING NOTES

- AT and AR install types are required for CCEA, and Airtight applications.
- Do not install in environments where ambient temperatures exceed 40°C (104°F).
- Power supply compartment and all splice connections may be serviced from room side.
- Consult factory for spacing requirements for any installations exceeding R-Value 60.
- Hanger bars fitted to short and long side of Low Flux Housing, and short side only of High Flux / Warm Dim Housing; extend from 14.0" to 24.0", but may be field cut to accommodate narrow stud spacing. Can be extended up to 46" maximum with 2S-HBE-46 kit.
- Hanger bars and brackets add 4.00" to the overall dimension, but are exclusive of the setback requirements.
- Driver assembly ships with trim, not housing. Housing and trim feature push nuts and lever nuts for ease of installation.

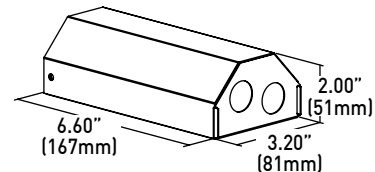
REMOTE POWER SUPPLY

- H** Provided with install types "IR", "NR" and "AR". See page 7 for maximum allowable wiring distances. Must be installed in an accessible location.
- I ATHENA / CASAMBI CONTROL**
Controls integrated into housing or remote driver assembly. All equipment is serviceable.
- Athena Model Numbers: A-WN-D01-RF-BL & DFC-OEM-DBI
- Casambi Model Number: BT-S1E1-5400
- J ATHENA / CASAMBI EM SHUNT**
Included with drivers specified as ASR, ADR, CSR, or CDR. One required for each wireless EM fixture, requires class 2 control wiring between fixture and shunt. Features integrated test switch.
- Model Number: PS-RMT-SHUNT

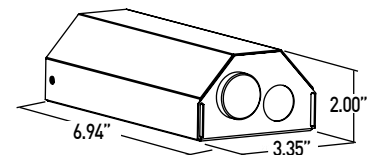
DIMENSIONS / DRAWINGS



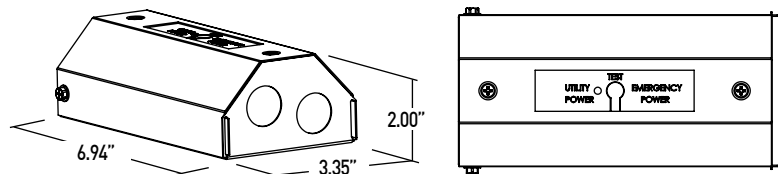
H **STANDARD ENCLOSURE**



I **ATHENA / CASAMBI ENCLOSURE**



J **ATHENA / CASAMBI EM SHUNT**



2 SERIES LED WALL GRAZER

REMODEL POWER SUPPLY

- K REMODEL POWER SUPPLY**
- Included with RM Install Type.
 - UL2043 listed for air-handling plenum.
 - Fixture mounts without conventional housing using supplied downlight trim adapter.
 - Minimum 0.75" clearance from top of fixture.
 - Minimum setback from combustible and non-combustible materials of 6.63" radius from fixture centerline.
 - Minimum 3.00" setback from surfaces of power supply / junction box if not situated within above noted radius from fixture centerline.
 - Minimum additional 3.00" setback from insulation material with max R-Value 30 from any surface of downlight fixture assembly.
 - Minimum additional 6.00" setback from polycell spray foam insulation with max R-Value 60 from any surface of downlight fixture assembly.

REMODEL NOTES

- Do not install in environments where ambient temperatures exceed 40°C (104°F).
- Power supply compartment and all splice connections may be serviced from room side.
- Consult factory for spacing requirements for any installations exceeding R-Value 60.

L REMOTE APPLICATIONS

- Remote power supply included with RR Install Type.
- Must be installed in an accessible dry/damp location.
- Do not install in environments where ambient temperatures exceed 40°C (104°F)
- Requires plenum rated Class 2 cable between fixture and remote driver. Cable supplied by others.
- See page 7 for maximum allowable wiring distances.

ZERO-SIGHTLINE INSTALLATIONS

Fixture regresses flush with the finished ceiling plane when installed according to manufacturer instructions and finished ceiling conditions are met. Consult 2-Series Installation Guidelines for appropriate ceiling cutouts and instructions for proper Zero-Sightline installations.

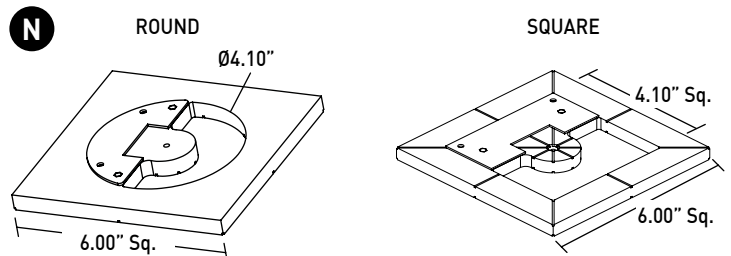
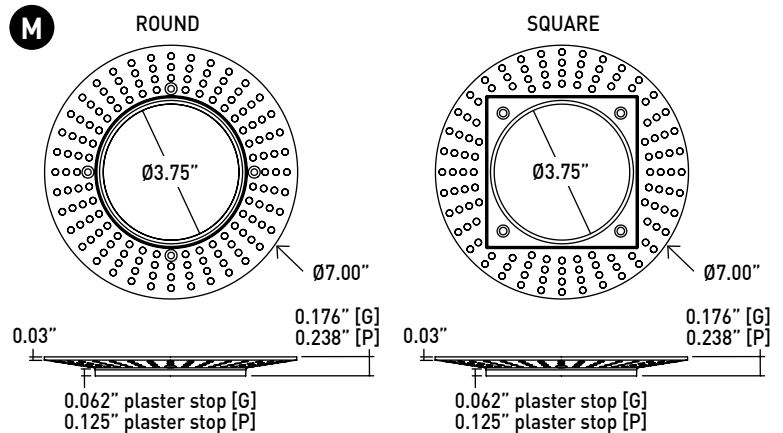
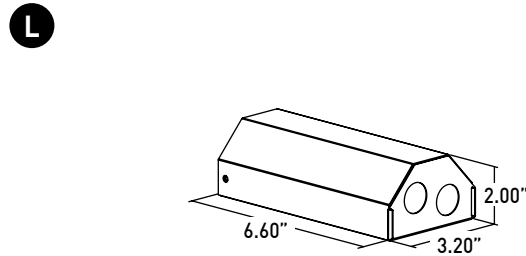
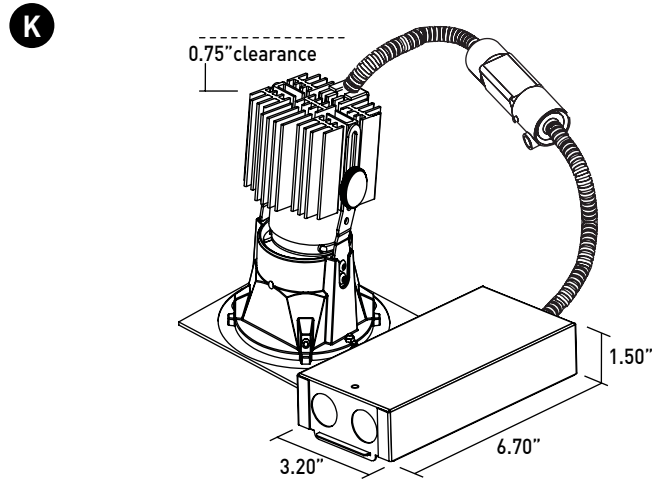
M APPLIQUÉ

- Specified on Flange Configuration and ships with housing; ships separately on remodel installations.
- For use in sheetrock ceiling applications.
 - 1/16" Appliqué (G Flange Configuration) recommended for gypsum ceiling installations and has plaster stop thickness of 1/16". Recommended for painted ceiling applications.
 - 1/8" Appliqué (P Flange Configuration) offers double thick plaster stop of 1/8" where a heavier application of mud is preferred. Recommended for colorfast and venetian plaster applications.
- Not recommended for stucco applications.

N ROUTER TOOL GUIDE

- Specified separately and used with Flange Overlay configurations.
- For use in wood ceiling applications.
- **DLA-RTG-2S-RD** or **DLA-RTG-2S-SQ** required for wood Zero-Sightline ceiling installations.
- Router tool guide is reusable and suitable for multiple fixtures.

DIMENSIONS / DRAWINGS



2 SERIES LED WALL GRAZER

TECHNICAL INFORMATION

CONSTRUCTION

Downlight: Steel and aluminum; extruded aluminum heat-sink; painted finishes are granulated powder coat. 304 corrosion resistant stainless steel faceplate for wet location fixtures.

Trim Adapter: High-impact composite and stainless steel.

Housing: 22 Gauge galvanized steel.

Appliqué: Zinc alloy.

LED

2-step MacAdam ellipse LED module available in 80+, 90+ and 97+ CRI configurations in color temperatures of 2700K, 3000K, 3500K and 4000K. 3-step MacAdam ellipse LED module available in 90+ configuration in color temperature of 2400K. Average rated lamp life of 50,000 hours. LED and driver assemblies are field-replaceable.

WARM DIM LED

3-step MacAdam ellipse warm dim LED module available in 90+ CRI configuration. 3000K or 2700K at full brightness, warming to 1800K at full dim. Average rated lamp life of 50,000 hours. LED and driver assemblies are field-replaceable.

TUNABLE WHITE LED

3-step MacAdam ellipse tunable white LED module available in 90+ CRI configuration. Features tuning range of 2700K to 5000K and 1800K to 4000K. Average rated lamp life of 50,000 hours. Driver assemblies are field-replaceable.

POWER SUPPLY PERFORMANCE AND DIMMING INFORMATION

Power Supply	PHASE		ECO		0-10V						DALI-2			ATHENA	CASAMBI
	L23	TR2	LH1	LP1	EA2	LA2	AN4	LN2	DG1	DN1	ED1	LD1	DD1	AS1/AD1	CS1/CD1
Minimum °C	0 °C	-20 °C	0 °C	0 °C	-20 °C	-20 °C	-20 °C	-20 °C	-20 °C	-20 °C	-20 °C	-20 °C	-20 °C	0 °C	-20 °C
Maximum °C	40 °C	40 °C	40 °C	40 °C	40 °C	40 °C	40 °C	40 °C	40 °C	40 °C	40 °C	40 °C	40 °C	40 °C	40 °C
Dimming %	1.0%	2.0%	1.0%	0.1%	0.1%	0.1%	1.0%	1.0%	0.1%	0.1%	0.1%	0.1%	0.1%	0.1%	0.1%

Note: For EA2, LA2 and L23 drivers consult chart on page 9 to confirm appropriate dimming curve for compatibility with selected control.

MAXIMUM ALLOWABLE REMOTE DRIVER WIRING DISTANCES

DRIVER	WIRE AWG				
	12	14	16	18	20
TR2, AN4, LN2	285'	180'	113'	71'	45'
L23, LH1, LP1	60'	40'	25'	15'	-
EA2, LA2, ED1, LD1, DG1, DN1, DD1, AS1, AD1, CS1, CD1	-	-	118'	72'	46'

SPACING

Recommended fixture spacing is 22" to 28" on center with 16" to 18" setback from wall plane.

LISTING

cTUVus listed to UL1598 standard for Dry / Damp and Wet locations. CCEA, Airtight and Title 24 JA8-2022 Listed. NEMA 410 Compliant.

DECLARE

LBC Red List Approved.

FIXTURE WEIGHT

Trim - 2 lbs max

Low Flux Housing - 4.2 lbs

High Flux / Warm Dim Housing - 7.4 lbs

Remote / Remodel Driver - 1.4 lbs

LIMITED WARRANTY

Manufacturer's Limited Warranty guarantees product(s) listed to be free from defects in material and workmanship under normal use and service for 1-year. LED and power supplies are warranted to operate with 70% of original flux and remain within a range of 3 duv for a period of 5-years. 10-year Lutron Advantage limited warranty available on Lutron equipped systems. Warranty period begins from the date of shipment by Seller. [Consult website for full warranty terms and conditions.](#)

CHANGE LOG

- 04/06/2022: REMOVED REMOTE REMODEL ACCESSORY KIT DLA2-RMT-AK.
- 10/17/2022: REMOVED 90WA12H 3200K-1800K WARM DIM AND ADDED 90WA12H 3000K-1800K WARM DIM.
- 11/28/2022: REMODEL FIXTURES UPDATED WITH METAL CLASP CONNECTORS.
- 04/26/2023: ADDED DECLARE LBC RED LIST APPROVED.
- 08/08/2023: UPDATED WITH NEW LED AND OPTIC SYSTEM
- 01/11/2024: ADDED ATHENA AND CASAMBI CONTROL OFFERING. ADDED 2400K OFFERING.
- 02/07/2024: ADDED TUNABLE WHITE OFFERING.
- 05/13/2024: UPDATED LH1 WATTAGE MINIMUM



Declare.

2 SERIES LED WALL GRAZER

DIMMING COMPATIBILITY

PHILIPS DRIVER COMPATIBILITY

Power supply TR2 Manufacturer	Family/Model #
Lutron Electronics	DV-600P
Lutron Electronics	DVELV-303P
Lutron Electronics	NTELV-600
Lutron Electronics	MAELV-600
Lutron Electronics	SELV-300P
Lutron Electronics	DVLV-600P
Lutron Electronics	NFTU-5A
Lutron Electronics	CTCL-153P
Lutron Electronics	GL-600H
Lutron Electronics	S-600P
Lutron Electronics	PHPM
Power supply AN4 Manufacturer	Family/Model #
Lutron Electronics	DVTV plus PP-DV
Lutron Electronics	DVSCV plus PP-DV
Lutron Electronics	DVSTV
Lutron Electronics	DVSCSTV
Lutron Electronics	QSGRJ-XP plus GRX-TVI
Lutron Electronics	QSGRJ-XE plus GRX-TVI
Lutron Electronics	QSGR-XE plus GRX-TVI
Lutron Electronics	NFTV plus PP-DV
Lutron Electronics	NTSTV
Lutron Electronics	RMJ-5T
Lutron Electronics	RMJS-8T
Lutron Electronics	FCJS-010
Leviton	IlumaTch IP7 series
Philips	Sunrise - SR1200ZTUNV

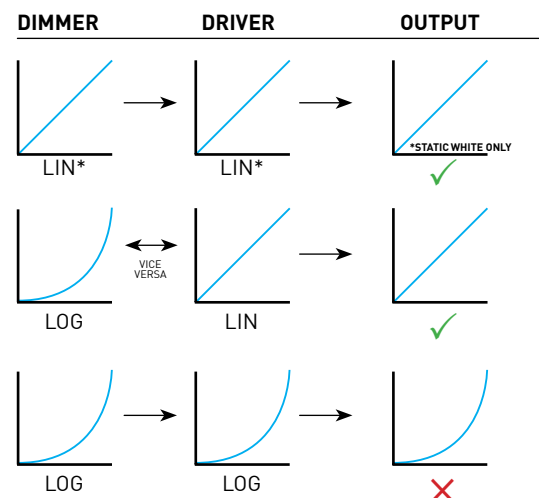
LUTRON DRIVER COMPATIBILITY

Power supply L23 Lutron Product Family	Part No.
Maestro WirelessR 600 W dimmer	MRF2-6ND-120-
Maestro WirelessR 1000 W dimmer	MRF2-10ND-120-
Caséta® Wireless Pro 1000 W dimmer	PD-10NXD-
GRAFIK T™ CL® dimmer	GT-250M-GTJ-250M-
HomeWorks® QS adaptive dimmer	HQRD-6NA-
HomeWorks® QS 600 W dimmer	HQRD-6ND-
HomeWorks® QS 1000 W dimmer	HQRD-10ND-
RadioRA® 2 adaptive dimmer	RRD-6NA-
RadioRA® 2 1000 W dimmer	RRD-10ND
myRoom™ DIN power module	MQSE-4A1-D
HomeWorks® QS DIN power module	LQSE-4A1-D
HomeWorks® QS wallbox power module	HQRJ-WPM-6D-120
HomeWorks® wallbox power module	HWI-WPM-6D-120
GRAFIK Eye® QS control unit	QSGR-, QSGRJ-
GRAFIK Eye® 3000 control unit	GRX-3100-GRX-3500-
RPM-4U module (LCP, HomeWorks® QS, GRAFIK Systems™, Quantum®)	HW-RPM-4U-120 LP-RPM-4U-120
RPM-4A module (LCP, HomeWorks® QS, GRAFIK Systems™, Quantum®)	HW-RPM-4A-120, LP-RPM-4A-120
GP dimming panels	Various
Ariadni CL 250W dimmer	AYCL-253P-
Diva CL 250W dimmer	DVCL-253P-DCSCCL-253P-
Nova T CL 250W dimmer	NTCL-250-
Power supply LH1 / LP1 Lutron Product Family	Part No.
PowPak Dimming Modules	RMJ-EC032-DV-B
PowPak Dimming Modules	FCJ/FCJS-ECO
Energi Savr Nodes	QSN-1ECO-S
GRAFIK Eye QS control unit	QSN-2ECO-S
Homeworks QS control unit	QSGRJ- _E (wireless) QSGR- _E
Quantum Hub	QP2-__ 2C
Quantum Hub	QP2-__ 4C
Quantum Hub	QP2-__ 6C
Quantum Hub	QP2-__ 8C
Homeworks QS power module	LQSE-2ECO-D
myRoom Plus power module	

eldoLED DRIVER COMPATIBILITY

Power supply EA2/LA2 Manufacturer	Family/Model #
Busch-Jaeger	2112U-101
Jung	240-10
Leviton Lighting Controls	IP710-DLX
Lightolier Controls	ZP600FAM120
Merten	5729
Pass & Seymour	CD4FB-W
The Watt Stopper	DCLV1
Synergy	ISD BC
Crestron®	GLX-DIMFLV8
Crestron®	GLXP-DIMFLV8
Crestron®	GLPAC-DIMFLV4-*
Crestron®	GLPAC-DIMFLV8-*
Crestron®	GLPP-DIMFLVEX-PM
Crestron®	GLPP-1DIMFLV2EX-PM
Crestron®	GLPP-1DIMFLV3EX-PM
Crestron®	DIN-A08
Crestron®	DIN-4DIMFLV4
Crestron®	CLS-EXP-DIMFLV
Crestron®	CLCI-1DIMFLV2EX
Power supply EA2/LA2 Manufacturer	Family/Model #
Lutron Electronics	Nova T® - NTFTV
Lutron Electronics	Diva® - DVTV
Lutron Electronics	Nova® - NFTV
Lutron Electronics	GrafixEye® GRX-TVI w GRX3503
Lutron Electronics	Energy Savr Node™ - QSN-4T16-S
Lutron Electronics	TVM2 Module
Sensor Switch	nIO EZ
ABB	SD/S 2.16.1

ANALOG DRIVERS AND DIMMERS



LIN = LINEAR
 LOG = LOGARITHMIC
 *LIN-TO-LIN NOT COMPATIBLE FOR WARM-DIM

